

The A70 Mounting Kit Installation Notes

These *Installation Notes* provide instructions for using the A70 mounting kit.

The AP70-MNT can be used to attach an A70 Wireless Access/Grid Point (AP) to a shelf, wall, post, ceiling, or partition hanger. The included mounting cradle holds the AP firmly in place when installed, and also allows for quick release when maintenance is required.

Kit Components

The following items are included in the AP70-MNT:

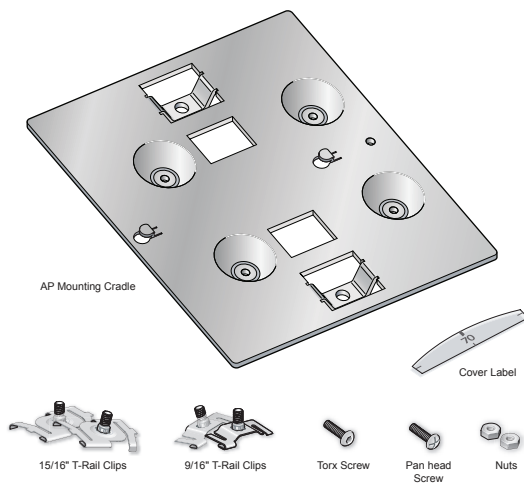


FIGURE 1 Kit Items

Inform your supplier if there are any incorrect, missing or damaged parts. If possible, retain the original packing materials. Use them to repack the product in case there is a need to return it.

Prerequisites

Before using the mounting kit, you must first perform the initial AP provisioning as described in the *A70 Wireless Access/Grid Point Installation Guide*. When handling the AP, be sure to follow the requirements and safety precautions outlined in that manual.

Mounting the AP Cradle

The mounting kit can be used to install the A70:

- On a solid wall, shelf, or ceiling surface (see [page 3](#))
- Suspended from a tile ceiling (see [page 4](#))
- On a vertical post (see [page 5](#))
- From an office partition hanger (see [page 6](#))

The following procedures describe mounting the AP cradle. The AP is then inserted into the cradle as shown on [page 7](#).

Solid Surface Mount

The mounting kit can be used to attach the AP to a solid, flat, indoor surface such as a wall, shelf, and ceilings. (The holes used for surface mounting can also be used to attach to any standard electrical gang box.)



CAUTION—For suspended ceilings, use only T-rail clips as described on [page 4](#).

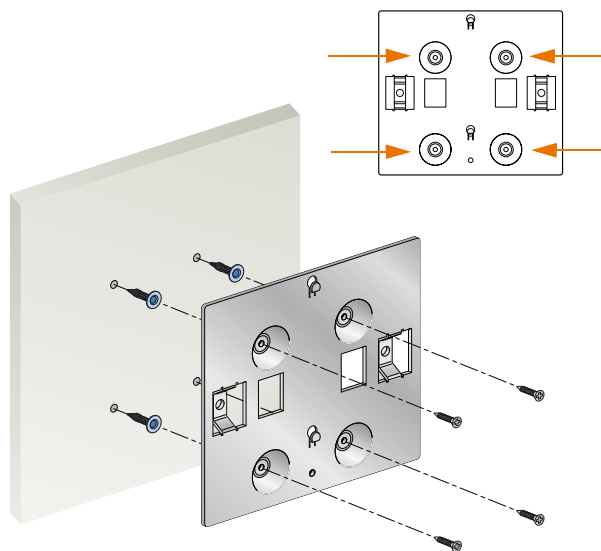


FIGURE 2 Attaching the Cradle to a Solid Surface

Orient the cradle with its flat side against the mounting surface. If attaching the cradle to a wall, orient it with the notched end at the top.

Secure the cradle to the solid surface using four #6 screws (not included) or equivalent.

Suspended Ceiling Mount

- 1 Attach the T-rail clips to the ceiling rail.

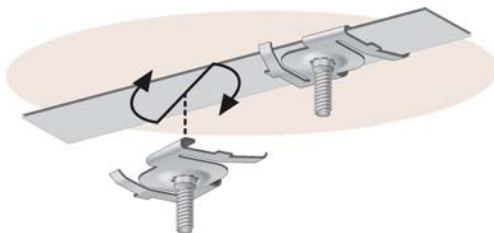


FIGURE 3 Attaching the T-Rail Clips

The T-rail clips twist onto the ceiling rails used with standard suspended-ceiling systems. Use either the 15/16-inch or 9/16-inch clips, as appropriate for your ceiling. Place the T-rail clips approximately 5.5 cm (2-1/8 inches) apart at the location where the AP will be installed. Use the mounting cradle to gauge the appropriate separation.

2 Attach the cradle to the T-rail clips.

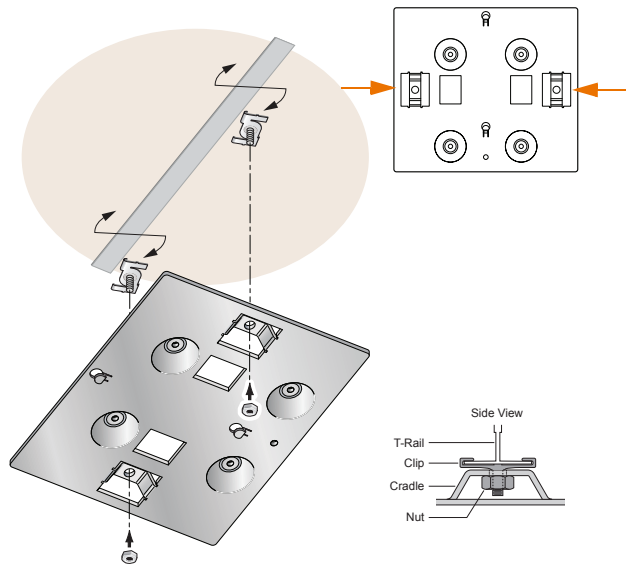


FIGURE 4 Mounting the Cradle to a Suspended Ceiling

Secure the cradle on each T-rail clip bolt using the remaining nuts.

Vertical Post Mount

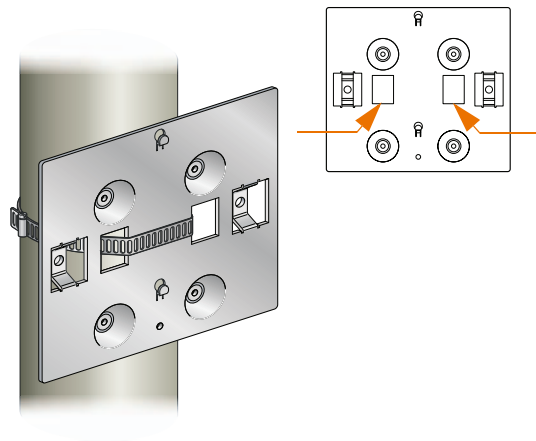


FIGURE 5 Mounting the Cradle to a Vertical Post

To mount the AP to a vertical post, thread a metal or plastic mounting strap (not included) around the post and through the large slots on the cradle. The strap should be flat and no wider than 1.5 cm (5/8 inches).

Office Partition Mount

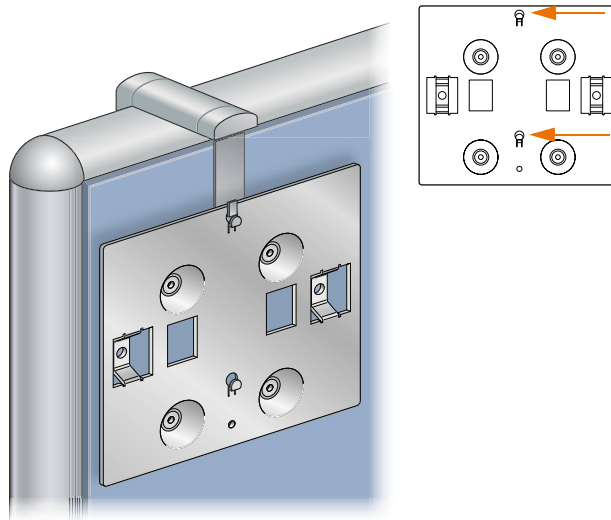


FIGURE 6 Mounting the Cradle to a Partition Hanger

The cradle includes mounting holes for a variety of different office partition hangers (not included). Use the hole most suited for your particular hanger system's hook or bolt.

Placing the AP into the Cradle

- 3 Remove the label from the front of the AP chassis.

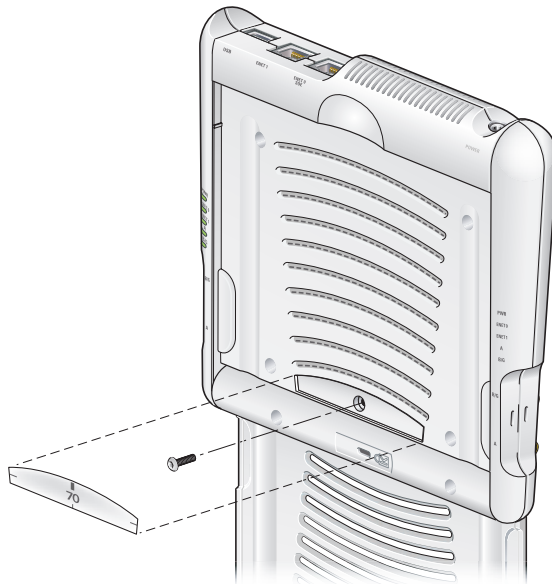


FIGURE 7 Removing the Label

The label conceals a mounting hole required in a later step. The extra label shipped with the mounting kit is designed to replace this label once it is removed.

- 4 Place the AP into the mounting cradle.



FIGURE 8 Placing the A70 into the Cradle

Fit the keyhole-shaped slots on the rear of the AP chassis over the cradle mounting pin and tab. Slide the AP chassis downward so that the AP slot captures the tab.

- 5 Secure the AP with one of the included screws.

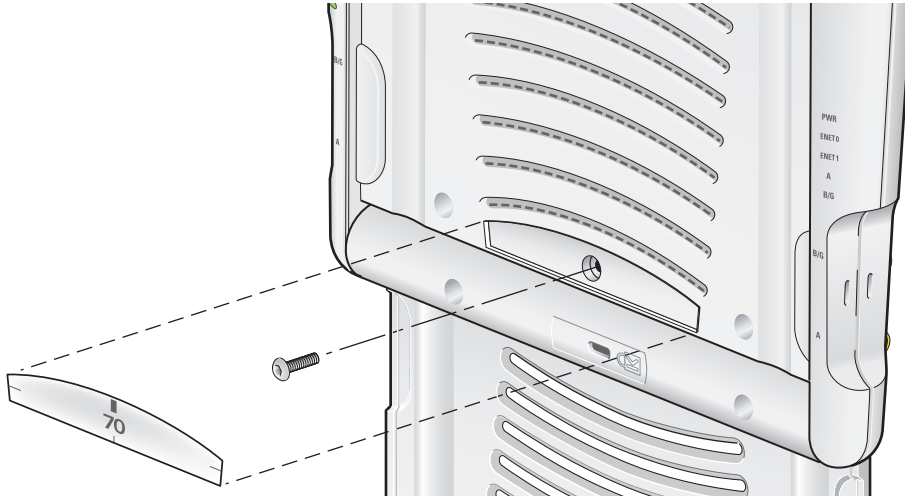


FIGURE 9 Installing the Cradle Screw

Use either the cross-head or hex-head screw. The hex-head screw requires a less commonly available tool and may increase casual security. Install the screw through the mounting hole in the front of the AP chassis (previously covered by the label) and into the cradle mounting pin. Do not overtighten.

- 6 Apply the new label.
- 7 Secure the AP, if desired.

To prevent the unauthorized removal of the AP from its installed location, use a Kensington MicroSaver Security Cable (not included). Wrap the security cable around an immovable object, insert the cable's lock into the Kensington Security Slot on the back of the AP, and turn the key.

- 8 Orient the antennas.

For best performance, orient the antennas vertically.

- 9 Resume standard installation.

Once mounting is complete, connect the required cables and complete the installation as described in the *A70 Wireless Access/Grid Point Installation Guide*.

Notes

A series of 25 horizontal dashed lines spanning the width of the page, providing a template for writing notes.

.....

.....

.....

.....

.....

.....

.....

.....

.....

.....

.....

.....

.....

.....

.....

.....

.....

.....

.....

.....

.....

.....

.....

.....